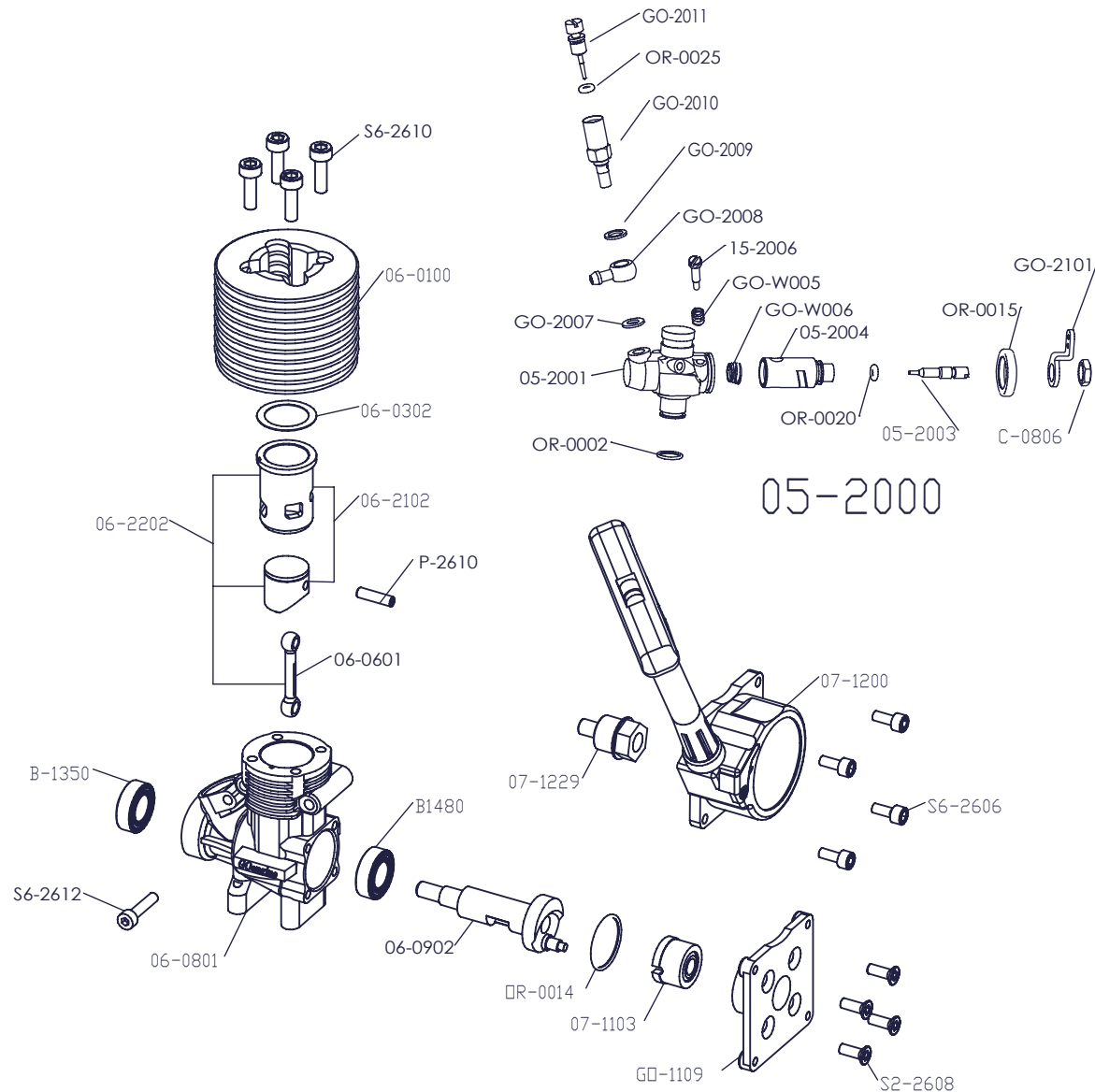


CL06N ENGINE EXPLODED VIEW



PARTS LIST

| | |
|---------|--------------------------------|
| 05-2000 | CARBURETOR REVOLVE |
| 05-2001 | CARBURETOR MAIN BODY |
| 05-2003 | THROTTLE NEEDLE |
| 05-2004 | SLIDE THROTTLE |
| 06-0100 | CYLINDER HEAD |
| 06-0302 | BURN ROOM WASHER 0.2MM |
| 06-0601 | CONNECTING ROD |
| 06-0800 | CRANKCASE |
| 06-0902 | CRANKSHAFT |
| 06-2102 | CYLINDER SLEEVE/PISTON .06 |
| 06-2202 | CYLINDER SLEEVE/PISTON/ROD .06 |
| 07-1103 | "T"-AXLE |
| 07-1200 | PULL STARTSET |
| 07-1229 | START AXLE |
| 15-2006 | THROTTLE STOP ADJUSTMENT SCREW |
| GO-1109 | CONNECTIVE SEAT |
| GO-2007 | FUEL SUPPLY WASHER 7.5X4 |
| GO-2008 | FUEL SUPPLY NIPPLE |
| GO-2009 | FUEL SUPPLY WASHER ALUM. 7.5X5 |
| GO-2010 | NEEDLE VALVE ASSEMBLY |
| GO-2011 | MAIN NEEDLE |
| GO-2101 | THROTTLE LEVER |
| GO-W005 | SPRING |
| GO-W006 | ROTOR SPRING |
| OR-0002 | O-RING 4X1 |
| OR-0014 | O-RING 10X1.3 |
| OR-0015 | DUST COVER |
| OR-0020 | O-RING 2.1X1 |
| OR-0025 | O-RING 2.9X1.78 |
| S2-2606 | SCREW 2.6X6 4PCS |
| S6-2608 | SCREW 2.6X8 4PCS |
| S6-2610 | SCREW 2.6X10 4PCS |
| S6-2612 | SCREW 2.6X12 |
| B-1350 | BALL BEARING 5MM |
| B-1480 | BALL BEARING 8MM |
| P-2610 | PISTON GUDGEON PIN |
| C-0806 | NUT |